

Stair Climbing System

C-max U2

User's Manual



Ideen bewegen mehr



CE Declaration of conformity

The company AAT Alber Antriebstechnik GmbH herewith declares that the products of the stair climbing system **c-max** were developed and manufactured in concordance with the current regulations of the European Union, EEC Guidelines 93/42/EWG.

This declaration becomes void if the above mentioned devices have been altered without the consent of AAT Alber Antriebstechnik GmbH.



Signature of the manufacturer:

Markus Alber
Managing shareholder
AAT Alber Antriebstechnik GmbH



The stair climbing system **c-max** has been tested successfully according to the ISO/FDIS 7176-23 by the Technical University Berlin.



AAT Antriebstechnik GmbH

P.O. Box 10 05 60 · D-72426 Albstadt
Tel.: +49 - 74 31 - 12 95 0 · Fax.: +49 - 74 31 - 12 95 35
info@aat-online.de

www.aat-online.de



Table of contents

	CE Declaration of conformity	2
	Table of contents	3
1	General information	5
1.1	Instruction	5
1.2	Care and maintenance	5
1.3	Warranty and liability	5
2	Description of the product	6
2.1	Adequate use.	6
2.2	Features of the C-max	7
2.3	Technical data	7
3	Folding and unfolding	8
3.1	Unfolding.	8
3.2	Adjustment of arm rests sideways.	9
3.3	Adjust the handles	9
3.4	Folding.	10
4	Safety instructions	11
4.1	Instruction	11
4.2	Safety brakes	11
4.3	Lining of the climbing foot.	11
4.4	Lifting capacity.	11
4.5	Care and maintenance	11
4.6	Condition of paths, walkways etc.	11
4.7	Charge of the batteries	11
5	Operation.	12
5.1	Maximum lifting capacity	12
5.2	Control light	12
5.3	Helix cable connector	12
5.4	Battery pack	12
5.5	Safety brakes	12
5.6	Lining of the climbing foot.	12
6	Instructions for operation	13
6.1	Operational components	13
6.2	Single step control	14
6.3	Climbers	14
6.4	Safety brakes	15
6.5	Transportation of person with the C-max	16
6.6	Operation on level ground	17
6.7	Adjust the handles	17
6.8	Tilting the stair climbing system.	18
6.9	Operation on slopes.	18
6.10	Climbing upstairs.	19
6.11	Climbing downstairs	22
6.12	Laying the C-max on the stairs.	24



7	Accessories	25
7.1	Battery pack	25
7.2	Exchange the battery pack	25
7.3	Charging cable for your vehicle.	25
8	Care and maintenance	26
8.1	Charger	26
8.2	Battery pack	27
8.3	Sealed lead acid batteries.	27
8.4	Charging the battery pack.	28
8.5	Fuses	28
8.6	Tighten driving chain	29
8.7	Check brake lining.	29
8.8	Check the climbing foot's lining	29
8.9	Cleaning	30
9	Warranty and liability	31
9.1	Warranty	31
9.2	Liability	31

1 General information

Congratulations! With the acquisition of this stair climbing system you have a device that will quickly become a reliable and indispensable partner in transporting physically disabled people.

With the *c-max* you are able to transport persons safely and effortlessly up- and downstairs; even winding stairs are no problem for the *c-max*.

Driving on slopes is also possible. The safety brakes on both sides of the *c-max* ensure your safety.

Naturally the *c-max* is also suitable to drive on level ground. The device is lightweight, flexible and does not take up much space.

1.1 Instruction

This user's manual will instruct you step by step about the safe and adequate use of the *c-max*.

Operating the *c-max* takes a certain skill. In the interest of your safety only **trained** personnel may use the *c-max*.

Please read this user's manual carefully and particularly take note of the safety instructions before you use the *c-max* for the first time.

1.2 Care and maintenance

One of the most important aspects concerning the maintenance of the *c-max* is charging the sealed lead acid batteries. They are part of the battery pack and must be charged every time after using the device.

Other than that your *c-max* does not need much care or maintenance. More extensive instructions you find in chapter B.

1.3 Warranty and liability

For damage that was caused by inadequate use disregarding this manual we assume no liability whatsoever. (Please read chapter 9 for more detailed information concerning warranty and liability).




2 Description of the product

2.1 Adequate use

Please use the **c-max** exclusively for the transportation of physically disabled persons.

Said persons should be able to sit properly without help, otherwise you should secure them with a safety belt. The latter is an accessory available at AAT Alber Antriebstechnik GmbH.

In addition, the arms of the person to be transported should not protrude over the arm rests during the transportation process.

 In the interest of your safety you may not use the stair climbing device **c-max** on escalators or moving belts! Transporting other kinds of loads is explicitly prohibited!



Driving on level ground



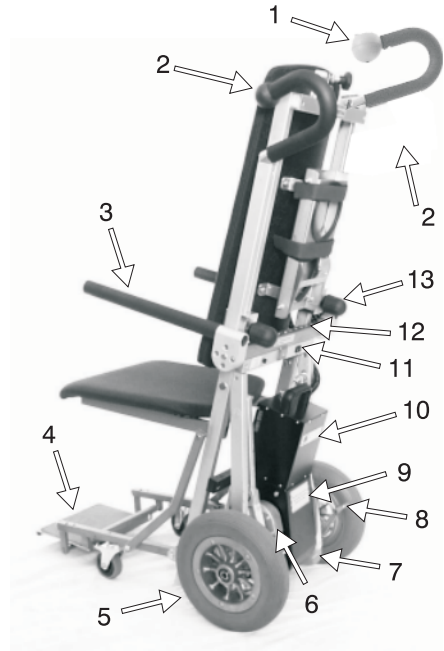
Mastering chairs



Driving on slopes

2.2 Features of the c-max

- 1 = control unit
- 2 = handles, adjustable
- 3 = arm rest, folds up and down
- 4 = foot rest, folds in
- 5 = main wheel
- 6 = lever with chain drive
- 7 = climber and climbing foot
- 8 = safety brake
- 9 = power unit
- 10 = battery pack
- 11 = single step switch
- 12 = adjustment of arm rest's width
- 13 = tightening knob for the handle



2.3 Technical data

measurements	height = 1130 mm width (arm rest' width min.) = 450 mm width (arm rest' width max.) = 685 mm depth with the foot rest folded in = 730 mm depth with the foot rest folded out = 850 mm
weight	device = 17,2 kg, battery pack = 4,4 kg, total weight = 35,7 kg
maximum lifting capacity	120 kg
batteries	2 x 12 V / 5 Ah sealed lead acid
direct current motor	24 V
climbing speed	8 - 23 steps / minute, continually adjustable
capacity with one battery pack	15 - 30 floors, depending on the load
maximum height of step	21 cm
noise level	the device's A weighted noise level lies typically below 70 dB (A)
vibrations	the weighted RMS value of acceleration the upper body is exposed to lies typically below 2.5 m/s ²

3 Folding and unfolding

The c-max can easily be folded and unfolded.

3.1 Unfolding

First you need to unlock the folding mechanism.

Push down the locking knob ① and simultaneously pull at the horizontal rod ② foot rest and seat down a bit.



Now you can unfold the foot rest downward until the small steering rollers ③ touch the floor.



Finally, push down the seat at its front edge ④ until the mechanism is entirely unfolded and then fold out the foot rest ⑤ all the way.



Bring the arm rests into their horizontal position.

Release them by pressing in the locking button ❶ and tilting the arm rests forward ❷ until they lock.



3.2 Adjustment of arm rests sideways

To adjust the width of the seat, both arm rests can be extended.

Press in the appropriate locking button ❶ and extend first one then the other arm rest sideways ❷ to one of the next locking points.



Repeat this movement on both sides until you reach the desired width of the seat.



3.3 Adjust the handles

Adjust the handles' grips on both sides to the appropriate height ❶ and fix them with the locking knobs ❷ (see chapter 6.7).

 Always make sure that the handles are securely locked.



3.4 Folding

If the arm rests are extended sideways, release them by pressing the locking buttons **1** and push the arm rests back in **2** all the way. Please see chapter 3.2.



Release **1** and tilt the arm rests upward **2** into a vertical position.




Fold in the foot rest.

Lift the seat upward and fold it up all the way until it touches the back rest.




Push on the horizontal rod of the foot rest's holding device until you feel that the locking mechanism catches.

 Please make sure that you did not catch seat belts or pillows while folding the device.



4 Safety instructions

 For the safe operation of the **c-max** it is highly important that you pay close attention to all instructions regarding operation and safety stressed in this user's manual.

4.1 Instruction: The **c-max** may only be operated by trained personnel. In addition, the operator should be capable of lifting 1/3 of his or her own weight. Minors are not allowed to use the **c-max**; exempt from the above are adolescents over 16 years of age who have been trained under supervision to operate the **c-max**.

While using the **c-max** you should always wear good shoes that do not slip.

4.2 Safety brakes: Please check the safety brakes each time before using the **c-max** (see also chapter 6.4 and 8.8). The safety brakes, particularly the knurled surface of the brake drums in the wheel rims, must be cleaned weekly with alcohol to ensure the optimum braking effect.

 Never use suds or greasy cleaners.

After cleaning the safety brakes must be checked as described in chapter 6.4

4.3 Lining of the climbing foot: Please check regularly whether the lining of each climbing foot is still sufficient (see chapter 8.9).


4.4 Lifting capacity: The stated maximum lifting capacity may not be exceeded. Please also read chapter 5.1.

You may under no circumstances use the **c-max** to transport goods.

4.5 Care and maintenance: Please make sure that you charge the battery pack after each use of the **c-max**.

When the **c-max** is at a standstill for a while, please turn the device off, i.e. the ON/Off switch needs to be on **0**.

If the working elements of the device block, turn the **c-max** off immediately.

 Repairs may be done by authorized dealers or the manufacturer only. Please exclusively use AAT Alber parts and accessories.

Please note the extensive care and maintenance instructions in chapter 8.

4.6 Condition of paths, walkways etc.: Please make sure that the paths and walkways you use with the **c-max** are free of obstacles and not slippery.

Avoid operation on damaged stair linings, snow, ice, etc.

 The **c-max** may not be used in wet and rainy conditions.

4.7 Charge of the batteries: You should only use the **c-max** with fully charged batteries. In case the batteries run low on the stairs (a sequence of 3 flashes repeated every 2.5 seconds) the available charge of the batteries is sufficient to transport the person safely to the bottom of the stairs. Driving downstairs the motor works as a generator, thus recharging the batteries. The potential steps downward, therefore, are not limited.

5 Operation

5.1 Maximum lifting capacity

Please make sure that the maximum lifting capacity is not exceeded.

5.2 Control light

After turning on the device, the control light ❶ should light up and stay on. Flashing of the control light indicates malfunction.

Further information on malfunction you find in chapter 6.1.4.

5.3 Helix cable connector

Check whether the connector of the helix cable ❷ is plugged into the housing of the power unit and locked each time before you use the c-max.

5.4 Battery pack

Please make sure that the sealed lead acid batteries ❸ are fully charged before you use the c-max for the first time.

Extensive instructions you find in chapter 8.2

5.5 Safety brakes

Before operating the c-max check the safety brakes ❹ every single time. Extensive instructions you find in chapter 6.4.

5.6 Lining of the climbing foot's lining

Please check regularly whether the lining on each climbing foot ❺ is still sufficient.

Further instructions you find in chapter 8.9



6 Instructions for operation

Before we get to the actual instructions for operation, we would like to introduce the c-max's most important components to you:

6.1 Operational components

The control unit is situated on the right handle and consists of an ON/OFF switch ②, an UP/DOWN switch ①, and a speed control ③.



6.1.1 ON/OFF switch

During a longer standstill, please turn the c-max off by pushing the rocker switch ② on "O".

The c-max is equipped with an electronic turn-off mechanism, i.e. if the device is on and not in use for about 5 minutes, it turns itself off automatically.

In such case you need to turn the device first OFF and then ON again.



6.1.2 UP/DOWN switch

With the UP/DOWN switch ① you activate the climbing mechanism up- or downstairs.



6.1.3 Speed control

The speed control ③ enables you to adjust the speed continuously.

When you use the c-max for the first time, please choose the lowest speed.



6.1.4 Control light to indicate malfunction

After turning on the c-max the green control light (LED) lights up and remains lit, which indicates that the stair climbing system is in order and ready to use.

Potential malfunction is indicated by a light diode. After a period of 3 seconds each time a blinking signal is repeated.

In case of malfunction, turn the device first off and then on again. If there is still an indication of malfunction, charge the batteries in case of low battery charge. For all other cases of malfunction, please call your local dealer.



Number of flashes	Indicated malfunction
1	overload of the device
2	battery pack, undervoltage
3	overvoltage
4	UP/DOWN switch or its supply line is damaged
5	defective electromagnetic brake
6	malfunction of electronics


6.2 Single step control

The single step switch is located on the climbing frame (see pictures).

Please activate the single step mode to practise and in particular to climb winding stairs.

If you activate the ON/OFF switch in that mode, the device will climb only one step at a time. The climbing system stops in the correct position, even if you press the ON/OFF switch continuously.

The climbing mechanism cannot unintentionally be activated. You can take your time to move the main wheels to the next step's edge.

 To continue climbing you simply release the UP/DOWN switch and then press it again.



The arrows with the dotted line symbolize the interruption of the climbing process, i.e. the single step mode is activated. To do that you press the rocker switch on **I**. By contrast, if you press the rocker switch on **O** it signifies the uninterrupted climbing process, i.e. the single step mode is **OFF**.



6.3 Climbers

The climbers (see picture) must be pulled in to topmost position by means of the UP/DOWN switch if you want to :

- drive on level ground and on slopes
- check the safety brakes
- begin climbing upstairs or downstairs

Before a person sits down on the chair activate the UP/DOWN switch direction UP to move the climbers down until they touch the ground. When the climbers touch the ground they serve as brakes preventing the device from rolling away (also see chapter 6.5.1).



6.4 Check safety brakes

There are safety brakes located on the climbing frame on both sides.

- ☞ Please check the safety brakes each time before you use the *c-max*.

You may check the brake effect either on top of the stairs or on level ground as described in 6.4.1 and 6.4.2.



6.4.1 Test the required brake effect

Tilt the *c-max* backwards until the back rest is in an almost horizontal position (see picture).

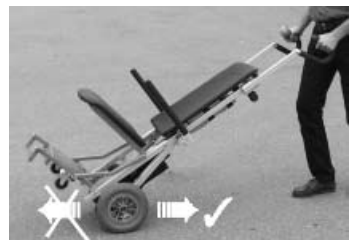
If the *c-max* cannot be pushed forward by the handles in said position, but merely rolls backwards, then the required brake effect for the safe operation of the *c-max* is granted (see picture).

6.4.2 Test the required brake effect at the top edge of the stairs

- ☞ Please make this test without a person sitting in the chair.

Tilt the device backwards to its regular climbing position (see chapter 6.8) and drive forward to the first step's edge. If you cannot push the device over the edge of the step, the required braking effect for a safe operation of the *c-max* is granted.

- ☞ **Important:** If the required brake effect is not guaranteed, you may, under no circumstances, use the *c-max* any more. Please contact your local AAT Alber dealer or the manufacturer immediately.



6.5 Transportation of people with the c-max

Please note that the **c-max** was developed to be operated by one person. Always use both hands when using the device.

- 👉 Please practice driving with the **c-max** on level ground, slopes and climbing up- and downstairs at first without a person sitting in the chair! Whenever you practice, please make sure that nobody is standing in the potentially dangerous spot directly below the **c-max** on a slope or stairs.

We suggest that you practice climbing up- and downstairs with the single step mode activated (see chapter 6.2). Also choose the lowest climbing speed for practicing (see chapter 6.1.3)

- 👉 Please do not exceed the maximum lifting capacity (see chapter 5.1)

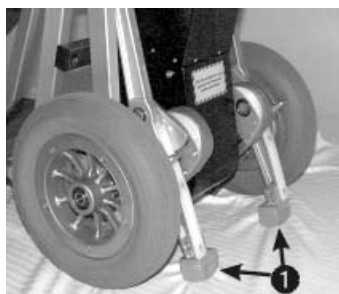
When seating a person on the **c-max** please be aware of:

6.5.1 Secure stand of the c-max

When a person is seated on the **c-max**, the device must stand securely on the ground. Therefore the climbers should be extended in such a way that they touch the ground and support the device (see picture).

Turn the **c-max** on by pressing the ON/OFF switch.

Now activate the UP/DOWN switch direction UP until the climbers touch the ground.



6.5.2 Swivel out or remove the arm rests

The arm rests can be released ① and folded up ② before a person is seated on the c-max. Please make sure the arm rests are back in their horizontal position after the person to be transported is seated.



6.6 Operation on level ground

After the person has been properly seated, you may transport him or her effortlessly on level ground (see picture)

- ☞ Passing over thresholds pulling the **c-max** backwards is much easier than pushing it forwards over them.



6.7 Adjust the handles

For climbing stairs or driving on slopes, comfortably and safely, adjust the height of the handles approximately to the level of the operator's shoulders.

- ☞ After adjusting the handles, always make sure that they are securely fastened.



6.8 Tilting the stair climbing system

To drive on slopes or to climb stairs you must tilt the **c-max**, which can be done easily by means of the climbers.

1. Turn on the **c-max** by pressing the ON/OFF switch.
2. Press the UP/DOWN switch direction DOWN until the climbers lift the main wheels at least 1-2 cm off the floor (see picture).
3. Put your foot on the power unit's housing and tilt the **c-max** slightly toward you until you feel that the **c-max** is balanced.
4. The **c-max** is balanced if you feel neither pull nor push in the handles.
5. In order to drive on level ground, the climbers must be pulled in entirely

If you tilt the **c-max** further, or too much, the safety brakes engage and the **c-max** can't be moved forward any more.



6.9 Operation on slopes

To drive on a slope, make sure the handles are adjusted appropriately (see chapter 6.7), then tilt the **c-max** slightly backwards (see chapter 6.8).

- 👉 For safety reasons we recommend you to ask another person to assist when driving on a slope..

6.9.1 Downhill

Drive forward to the edge of the slope. In order to slow down you need to tilt the **c-max** a bit more.

6.9.2 Uphill

Please drive backwards up a slope. In order to slow down you need to tilt the **c-max** a bit more.



6.10 Climbing upstairs

- 👉 Please always practice climbing stairs without a person and by activating the single step mode plus the lowest climbing speed.

The climbing process can be accomplished quickly and without problems if you adhere closely to the following instructions.

A tip before you start:

- 👉 During the climbing process always pull the **c-max** slightly towards you, so that the device automatically moves to the next higher step.
1. Adjust the handles to the appropriate height (see chapter 6.7).
 2. Turn the **c-max** on by pressing the ON/OFF switch.
 3. Activate the single step mode if necessary (see chapter 6.2).
 4. Pull in the climbers to their topmost position by pressing the UP/DOWN switch (see chapter 6.3).
 5. Tilt the **c-max** slightly toward you (see chapter 6.8).
 6. Drive backwards to the stairs ❶ and move up 2 to 3 steps ❷.



Now the **c-max** is in its initial position for climbing upstairs.

- 👉 Make sure that both main wheels touch the lowest step ❸.

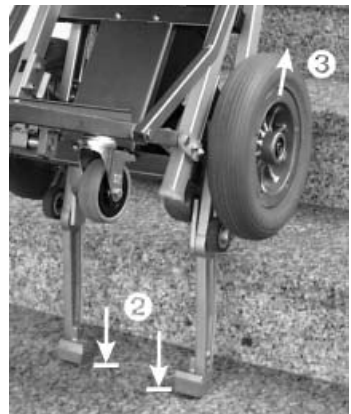


7. The climbing process takes place in two intervals.

The first interval starts by pressing the UP/DOWN switch, direction **UP**. The climbing process begins here with the power unit initiating the movement of the climbers downward **1**.



8. After the climbers **2** reach the floor, they assume the load of the main wheels while the main wheels and the frame **3** are lifted at the same time.



9. The first interval is finished when the main wheels touch down on the next higher step ④ and resume the load of the climbers.
10. The second interval begins by pulling in the climbers ⑤. It is finished when the climbers reach their topmost position.

If you activated the single step mode, the climbing process ends at this point. To resume climbing you need to press the UP/DOWN switch once again, direction **UP**.




Because the **c-max** is always pulled slightly backward, it rolls automatically to the next step and reaches the initial position again.

At this point the climbing process repeats itself as described in point 7.



6.11 Climbing downstairs

 Please always practice climbing downstairs without a person, and by activating the single step mode plus the lowest speed.

The descending process can be accomplished quickly and without problems, if you adhere carefully to the following instructions.

1. Adjust the handles to the appropriate height (see chapter 6.7).
2. Turn on the **c-max** by pressing the ON/OFF switch.
3. If appropriate, activate the single step mode (see chapter 6.2).
4. Pull in the climbers completely by means of the UP/DOWN switch (see chapter 6.3).
5. Tilt the **c-max** slightly (see chapter 6.8).
6. Drive the **c-max** forward to the edge of the stairs **1**.



7. The sensitive rolls **2** of the brakes keep the **c-max** from rolling over the edge.



8. Press the UP/DOWN switch, direction **DOWN**, and the descending process begins.
9. The power unit moves the climbers **3** down.

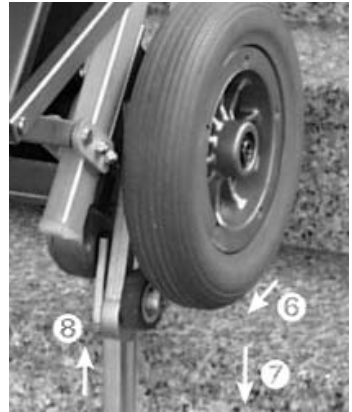


10. When the climbers reach the next lower step **4**, they resume the load of the main wheels, while those plus the climbing frame are lifted off the higher step **5**.



11. Now the main wheels and the climbing frame are moved forward **6**.

Then the main wheels plus the climbing frame are lowered **7** by pulling up the climbers **8** until...



12. ...the main wheels touch down on the next step (see picture).

If you activated the single step mode, the climbers are pulled in entirely and then the descending process ends at this point.



13. Again push the **c-max** all the way to the edge of the step, i.e. until the sensitive rolls of the security brakes stop the **c-max**.

To continue descending you need to press the UP/DOWN switch again, direction DOWN, if you activated the single step mode.

Climbing downstairs now repeats itself as explained in point 7 and following.



6.12 Laying the c-max on the stairs

In an emergency you may lay down the **c-max** on the stairs. The security brakes prevent the **c-max** from rolling down (see picture).



7 Accessories

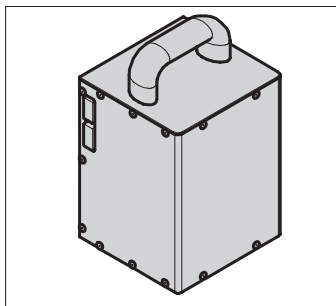
7.1 Battery pack

The **c-max** works with batteries and is delivered with one battery pack.

Additional battery packs, we call them quick release battery packs, are available as an accessory.


We recommend an additional battery pack if you use the **c-max** continuously, i.e. there are not sufficient breaks for the batteries to be recharged.

In such case one battery pack is in use while the other is being recharged at the same time.

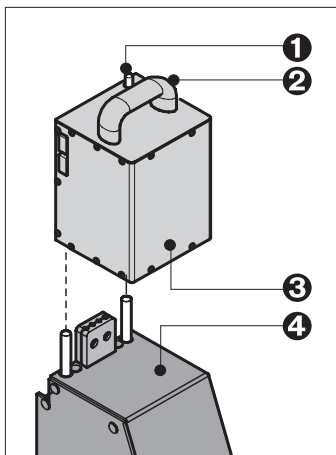


7.2 Exchange battery pack

1. Turn off the **c-max** using the ON/OFF switch.
2. Press the release button ① on top of the battery pack ③ until it engages. Now you lift out the battery pack at its grip ② from its fixture on top of the power unit's housing ④.
3. Push the other fully charged battery pack from the top into its fixture by means of the guiding pins on top of the power unit's housing. This establishes the power connection and locks the battery pack.

 The quick release battery pack should always be connected to the charger to extend its durability (see chapter 8.1).

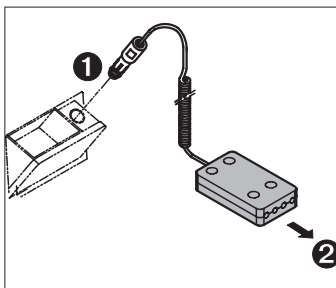
 Please exclusively use the **AAT Alber charger** to charge your battery pack.



7.3 Charging cable for your vehicle


A charging cable for your vehicle is recommended, if you transport the **c-max** frequently in your car. The charging cable is available as an accessory.

The charging cable's plug ① fits into the socket of the car's cigarette lighter; connect the other plug ② to the battery pack.



8 Care and maintenance

To guarantee the safety of the **c-max** the device must be inspected every two years, even if there are no outer signs of damage or malfunction.

 In the interest of your safety repairs of any kind may only be done by personnel authorized by AAT Alber Antriebstechnik GmbH.

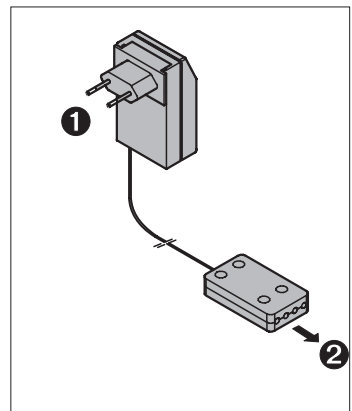
8.1 Charger

Please exclusively use the AAT Alber charger to charge your battery packs.

8.1.1 Automatic charger

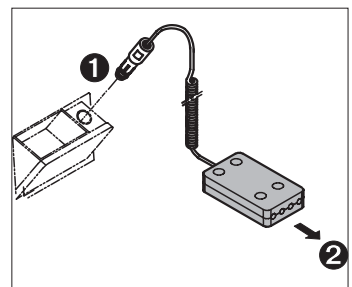
The **c-max** comes with the automatic charger. The charging cable's plug **1** fits into the wall outlet socket; connect the other plug **2** to the battery pack.

This automatic charger recharges your batteries 100%. As soon as the charging process is completed, it switches to a retaining mode, thus overcharging is impossible.



8.1.2 Charging cable

A charging cable for your vehicle is available as an accessory. Approximately a recharge of 80% is possible by accessing your vehicle's battery using a charging cable. Connector **1** fits to the cigarette lighter; plug in connector **2** at the battery pack.

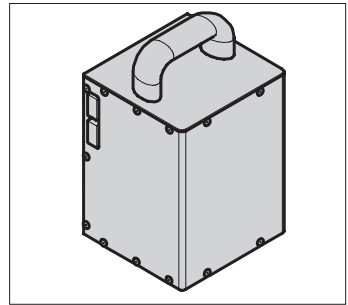


8.2 Battery pack

The quick release battery pack, consisting of sealed lead acid batteries, should be recharged after each use. (Technical details for the sealed lead acid batteries you find in chapter 8.3)

Tip:

- 👉 If the **c-max** is at a standstill for some time, please connect it to the charger to retain the charge. This does not damage the sealed lead acid batteries, on the contrary, it increases their durability.



8.3 Sealed lead acid batteries

There are 2 sealed lead acid batteries 12 V / 5Ah in the battery pack of the **c-max**. These batteries are sealed, maintenance free, rechargeable and of top quality.

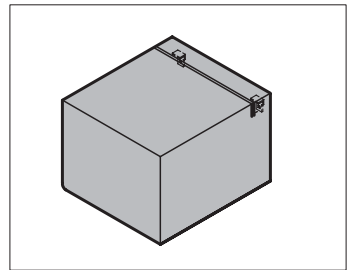
The batteries of your **c-max** can be discharged or recharged in any possible position.

Please avoid a total discharge: The durability of sealed lead acid batteries depends primarily on the charge/discharge cycle. For instance, you may discharge them partially more than 1000 times and use up the entire capacity more than 200 times, if you avoid a total discharge entirely.

A total discharge does not only lead to a loss of the batteries' capacity, but also shortens their durability. Thus, do avoid a total discharge, by recharging the batteries whenever possible!

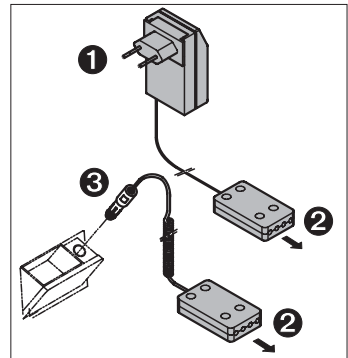
- 👉 Charging your batteries is taking good care of them.

Return dead batteries to AAT Alber Antriebstechnik GmbH or take them to particular recycling places where they can be recycled appropriately.




8.4 Charging the battery pack

1. Remove the battery pack from the power unit (see chapter 7.2).
2. Connect the charger's plug ② to the socket on the battery pack. Remember: The batteries of your *c-max* can be discharged or recharged in any possible position.
3. Depending of the type of charger used, insert the other plug ① into the wall outlet or plug it ③ into the cigarette lighter's socket in your vehicle.

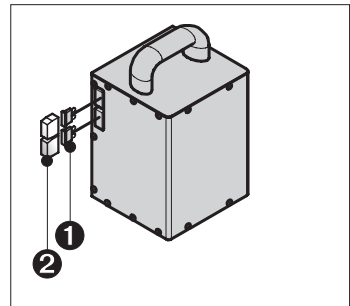


8.5 Fuses

Two electrical 30 A fuses ① are located on the side of your battery pack. They are protected by a cover ②.

 You may not mend or by-pass defect fuses. Always replace them with identical ones of the same amperage.

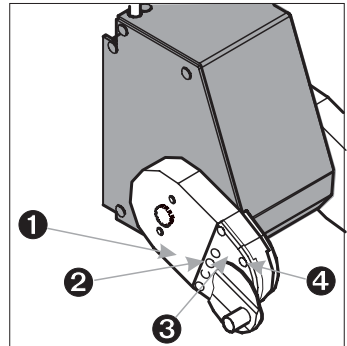
To exchange the fuses, pull out the cover and the fuses, insert the new ones and replace the cover.



8.6 Tighten driving chain


Occasionally the chains of the climbing system - situated in the chain's housing **1** - have to be tightened.

1. Unscrew the screws **4** (4 mm) in the cover of the chain's housing **3**.
2. Turn the adjustment bolt **2** clockwise using a hexagon socket screw driver (5 mm) until the chain is tight.
3. Retighten the cap screws on the cover.



8.7 Check brake lining

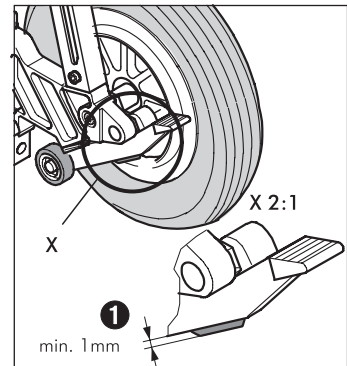
Please check the thickness of the safety brakes' lining regularly. The minimum thickness **1** is 1 mm. In case the lining is thinner than 1 mm, the lining must be exchanged on both sides. Please contact AAT Alber Antriebstechnik or your local dealer.

 Please check the safety brakes before each use of the c-max (see also chapter 6.4 and 4.2).

The safety brakes, particularly the knurled surface of the brake drums in the wheel rims, must be cleaned weekly with alcohol to ensure the optimum braking effect.


 Never use suds or greasy cleaners.

After cleaning the safety brakes must be checked as described in chapter 6.4.

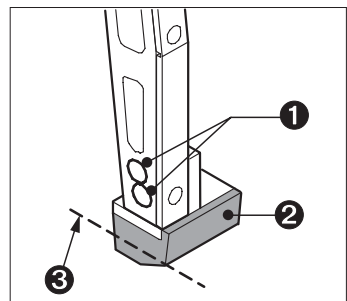


8.8 Check the climbing foot's lining

Please also check each climbing foot's lining **2** on a regular basis.

 If the lining **2** is worn down to the indicated line **3** or broken, again, exchange both climbing feet.

1. Unscrew the screws **1** (5 mm) and remove the climbing foot.
2. Apply locktite to the screws before screwing the new climbing foot on the climbing leg.
3. Tighten the cap screws securely (10 Nm).
4. Exchange the other climbing foot the same way following steps 1 through 3.






8.9 Cleaning

For the seat's cushion, the back and the arm rests, please use suds.

The other parts of the *c-max* - except the safety brakes (see chapter 8.8) - can be cleaned with a moist cloth; please use regular mild household cleaners.

 For safety reasons, please do not use a high-pressure cleaning device.

9 Warranty and liability

9.1 Warranty

AAT Alber Antriebstechnik GmbH grants a warranty of two years for all its products of type *c-max* including all its accessory parts (with the exception of the sealed lead acid batteries). The warranty begins at the date of purchase and covers failure of material and errors in manufacturing.

For the sealed lead acid batteries, always assuming correct maintenance, AAT Alber Antriebstechnik GmbH grants a warranty of six months from the date of purchase.

The warranty of the *c-max* does not cover damage or failure caused by:

- inadequate and insufficient maintenance by the client
- inadmissible changes or improper use
- improper use extending the maximum loading capacity of the *c-max*
- inappropriate charging of the sealed lead acid batteries batteries.

9.2 Liability

AAT Alber Antriebstechnik GmbH, manufacturer of the *c-max*, is not responsible for eventual damage done by the following:

- *c-max* was used inappropriately
- repair work, assembly and the like was done by unauthorized personnel
- *c-max* was not operated in accordance with this user's manual
- extraneous parts were attached to or used with the *c-max*
- parts of the *c-max* were removed
- the *c-max* was loaded extending the maximum loading capacity.



Ideen bewegen mehr

AAT Alber Antriebstechnik GmbH

Postfach 10 05 60 · D-72426 Albstadt

Tel.: +49 - 74 31 - 12 95 0 · Fax.: +49 - 74 31 - 12 95 35 · Email: info@aat-online.de

www.aat-online.de